

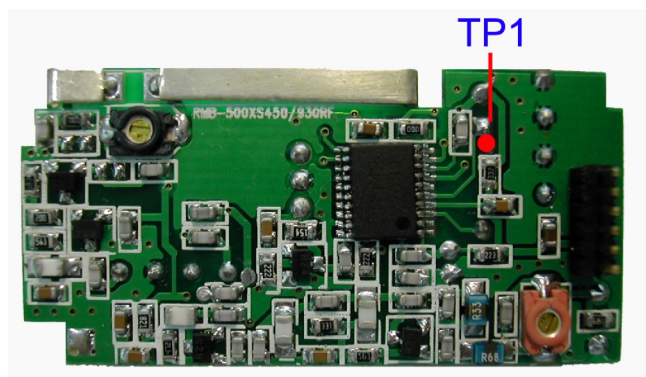
Wireless Devices Inc. reserves the right to change the product described in this datasheet. All information contained in this datasheet is subject to change without prior notice. Wireless Devices Inc. assumes no responsibility for the use of any circuits shown in this datasheet.

High Sensitivity FM / FSK receiver Module

The RMB-500XS450S/900S series UHF band data receiver is an ideal design module used for Pager, PDA, wireless sign board, Car Security System, and Remote controller, etc. wireless applications..

Main Function

- Complete with 4 crystals design
- Wide Frequency Range from 400MHz --490MHz or 825MHz -- 950MHz,
- POCSAG, 512/1200/2400, and Flex 1600bps or any 2 Lever formats
- Data rate from 300bps to 4800bps.
- Include AGC circuit
- High sensitivity
- Low power consume
- Power saving select
- Low Volt alarm
- Wide operate temperature from -40°C -- +70°C
- Small size
- RSSI output option
- Audio output option



PCB Size: 43mm X 22mm X12mm

Specification

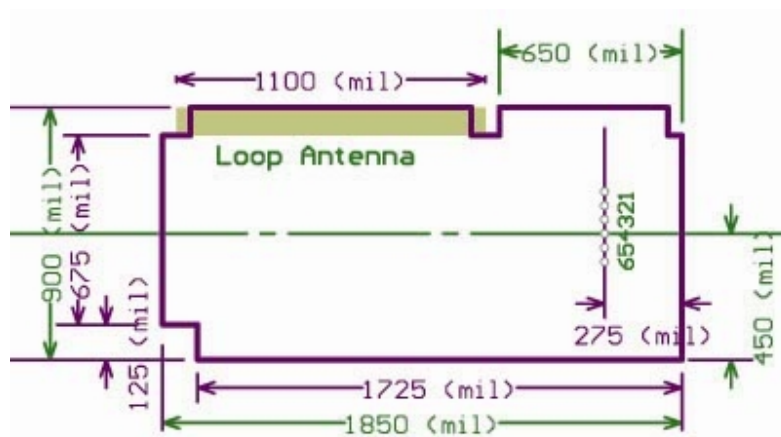
Description	Part No: RMB-500XS450S/900S
Frequency stability	10ppm at 25°C (5ppm option)
Operation frequency	400-- 490 MHz / 825 -- 950 MHz
Data Rate	300bps to 4.8Kbps.
Modulation	± 4.5K FSK NRZ
Channel spacing	5Khz/10Kh/12.5Khz/25Khz.
Sensitivity	-114dbm with loop antenna, -120dbm with cable direct.
Selectivity	≥60 dB.
Image response rejection	≥50 dB.
Spurious response rejection	≥55 dB.
Working Voltage	DC 3V ± 10%
Power consumption	Battery saving ON 680uA/hrs /B/S OFF 2.15mA/hrs.
Working temperature range	-20 to +70°C, -40 to 70°C(for Option)
Module Size	43mm X 22mm X 12mm.
Weight	4 grams.

Pin Description

Pin #	Name	Description	Remark
1	Alarm	Low battery volt alarm	If low volt alarm not to using this pin NC
2	Data	Received data output	Plus a resistor 10K ohm to Vcc1** **If Vcc1=3V the data output logic1=3V **If Vcc1=5V the data output logic1=5V
3	B/S	Battery saving	This pin direct connect to Pin#5(VCC) for receiver active, this pin connect to GND for receiver Off
4	GND	System ground	Power source ground and data ground
5	VCC	Power supply DC + 3V	Power source DC2.7V~3.3V Max 5mA
6	(*RSSI) (**AF)	Option Pin for RSSI or Audio output	*RSSI output for Radio Signal Strength Indicate. ** AF (Audio) output for FM and MSK applications.

Pin Lead size: 1.27mm 6 pin single

PCB Size and Pin Assignment



RMB-500 Series Receiver PCB size keepout
 Yoyang Inc Taiwan Y6170227033